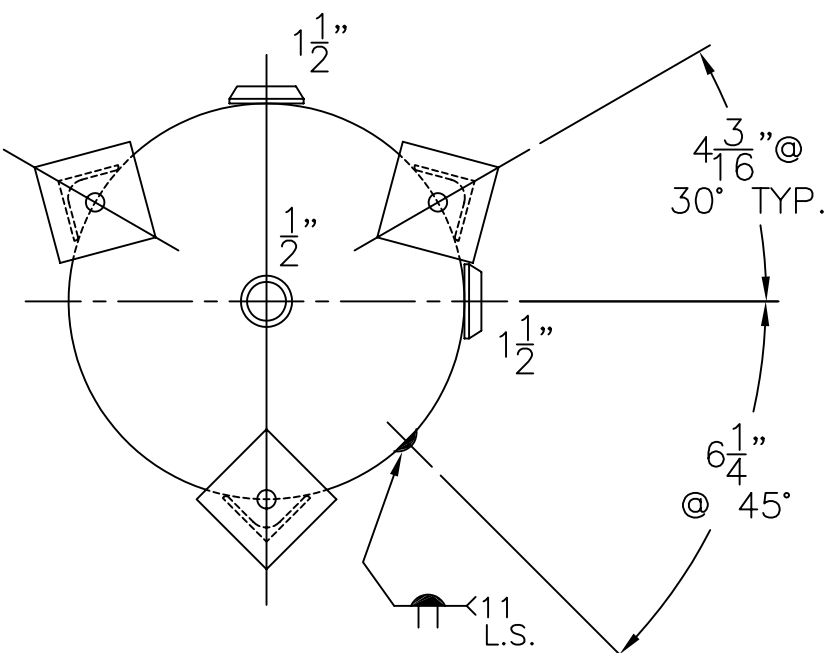


(3) 2 1/2"x 2 1/2"x 3/16"THK.
13 5/16"LG. ANGLE LEGS

(3) 4"x 4"x 1/4"THK.
PAD W/ 3/4"Ø HOLE
FOR 1/2"Ø x 8"LG. BOLTS
GRADE 5 OR BETTER
6" EMBEDMENT



NOTE: 1) HYDRO @ 390 PSIG. MIN.

SHELL / HEADS		.136" SA-414-G 2:1 S.E.	
JOGGLE - .159 OFFSET			
.164" SA-414-G			
M.A.W.P.	300 PSIG. @ 400 °F	16-VD-30-L	REV. 11-5-10
M.D.M.T.	-20 °F @ 300 PSIG.	FOR: HANSON STANDARD	DATE: 6-21-99
ASME SECTION VIII	DIV. 1, 2007 ADD 2009	VERT. AIR TANK	SURFACE AREA = 14.7 SQ. FT.
X-RAY: RT-NO		INSIDE: UNPAINTED	
GALLONS: 30	WT. 115 LBS.	OUTSIDE: PRIME	
SERIAL NO.		CAD-"B" SIZE UNDER "STD. SERIES	
N.B.		BY: J.G.	SCALE: 1/8"=1"
		ROY E. HANSON JR. MFG.	
		1600 E. WASHINGTON BLVD.	
		LOS ANGELES, CA 90021	